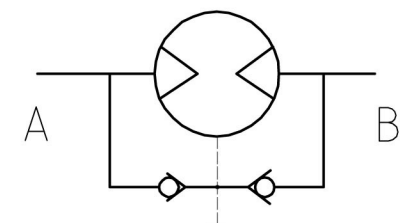
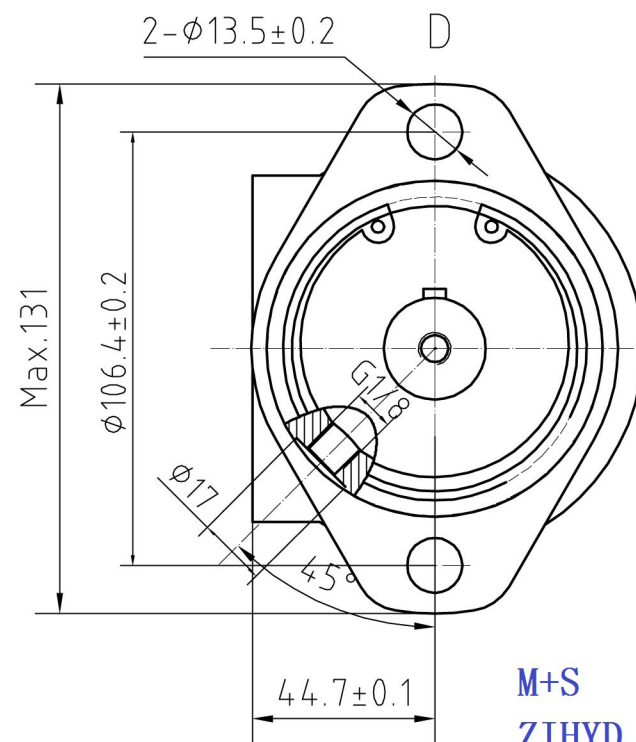
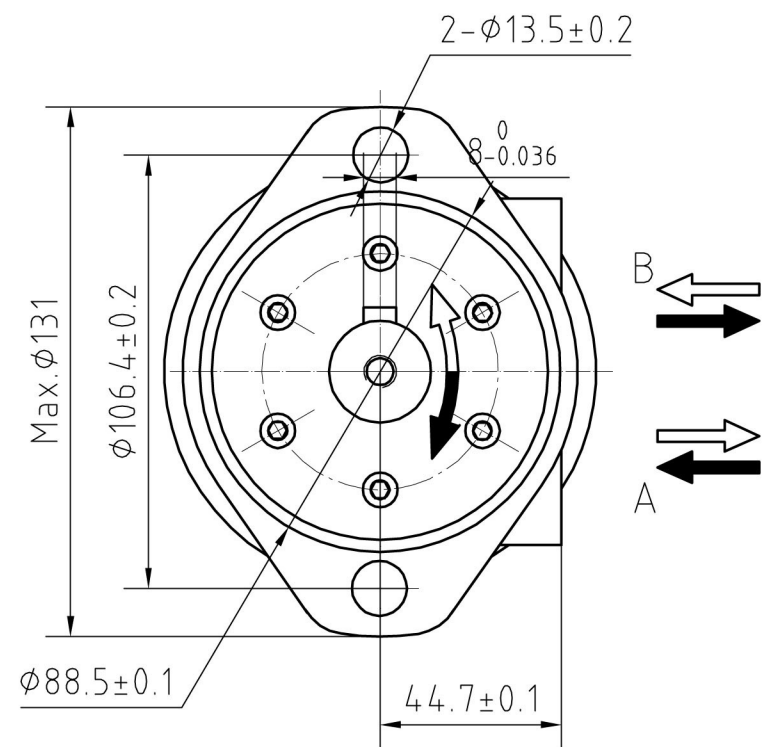
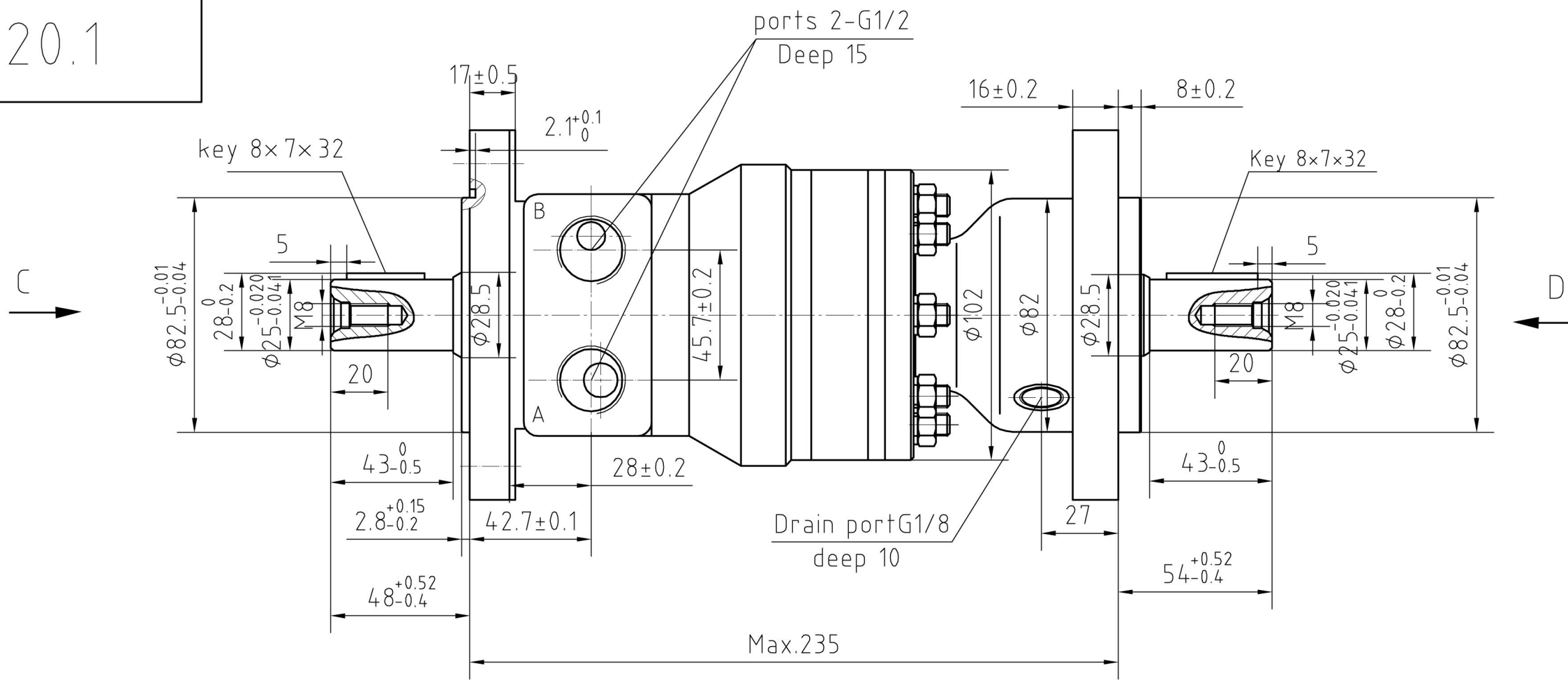


2020.1



M+S MRB160C/CLSV
ZIHVD BMRS-160P1AIIY/T17

1. Displacement: 160.8ml/r;
2. Max. pressure:14Mpa;
3. Max.torque:310Nm;
4. Max. speed:370r/min;
5. Max.Flow:60L/min;
6. Max.output Power:10Kw.

NINGBO ZHONGYI HYDRAULIC MOTOR CO.,LTD.

BMRS-160P1AIIY/T17